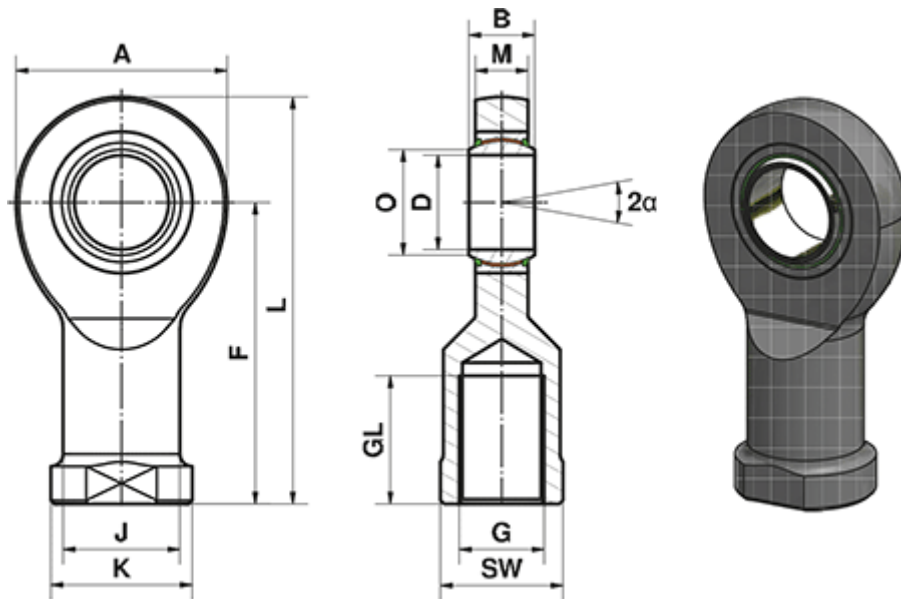


Data Sheet



Article number: 03492030
 Description: Fluro Heavy Duty Rod end EIL 30 EW-2RS
 M30x2 Female thread
 Note: 30

Measures



A	= 73	J	= 40
a (degrees)	= 6	K	= 50
B	= 22	L	= 146.5
D	= 30	M	= 19
Dynamic load C (kN)	= 165	O	= 34.2
F	= 110	Static load C0 (kN)	= 124
G	= M30x2	SW	= 41
GL	= 56	Weight (g)	= 930